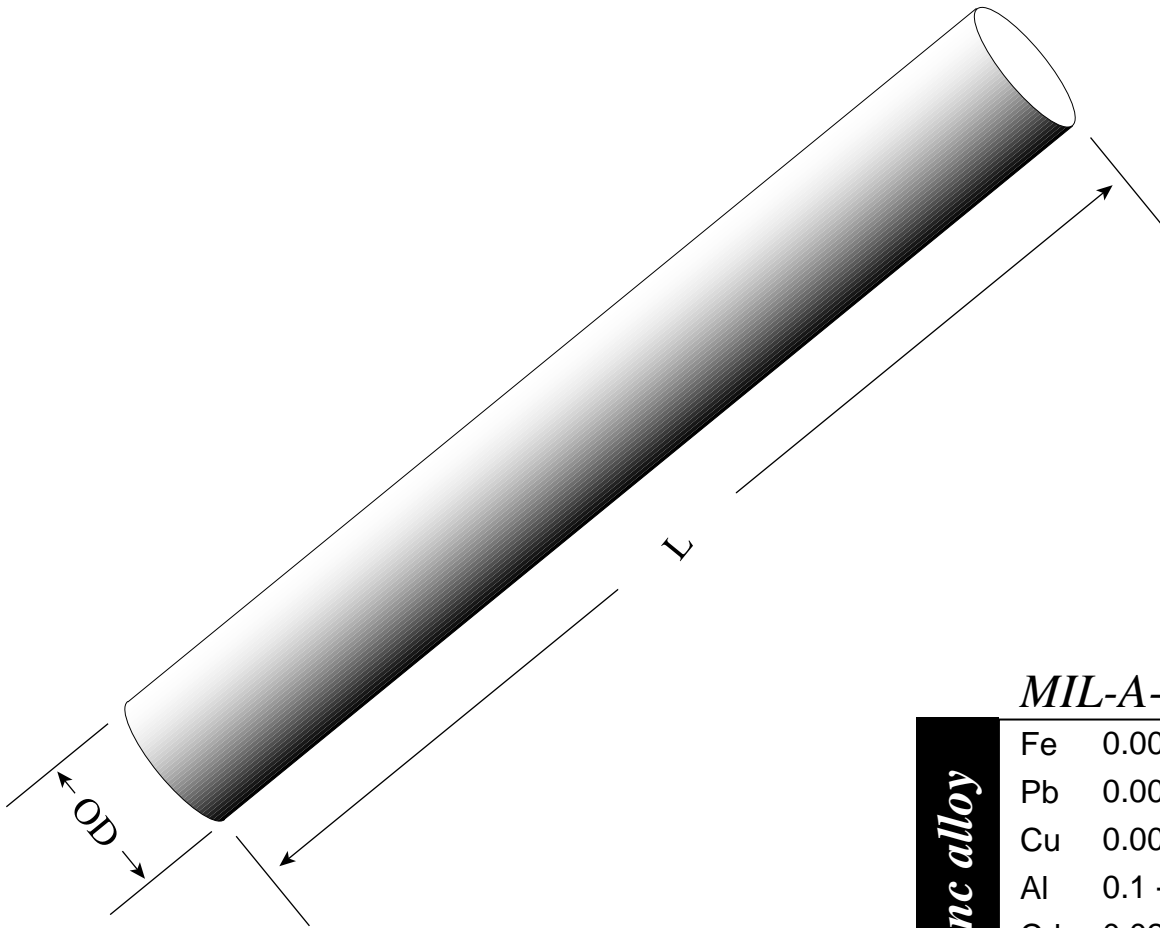


**M&M Industries, Inc.**  
 800 West Front Street, Chester, PA 19013  
 Tel (610) 447 0663 ~ Fax (610) 447 0994

P.O. Box 1439, Amite LA 70422  
 Tel (985) 748 6651 ~ Fax (985) 748 6671

**ZINC ANODE**

**RODS**



*MIL-A-18001*

<b>Zinc alloy</b>	Fe	0.005% max.
	Pb	0.006% max.
	Cu	0.005% max.
	Al	0.1 - 0.5%
	Cd	0.025 - 0.07%
	Zn	Remainder

Zinc rods are a cast product

<i>Part No.</i>	<b>ZR 500</b>	<b>ZR 750</b>	<b>ZR 1000</b>	<b>ZR 1250</b>	<b>ZR 1500</b>	<b>ZR 2000</b>	<b>ZR 2500</b>	<b>ZR 3000</b>	<b>ZR 3500</b>	<b>ZR 4000</b>	<b>ZR 5000</b>	<b>ZR 6000</b>	Not to scale
<i>Rod OD</i>	½"	¾"	1"	1¼"	1½"	2"	2½"	3"	3½"	4"	5"	6"	
<i>Length (L)</i>	36"	36"	36"	36"	36"	36"	36"	36"	36"	36"	36"	36"	
<i>Weight in Lbs</i>	1.8	4.1	7.2	11.3	16.4	29.2	45.5	65.6	89.3	116.6	182.3	262.4	

**THE RIGHT PRODUCT • THE RIGHT TIME • THE RIGHT PRICE**