

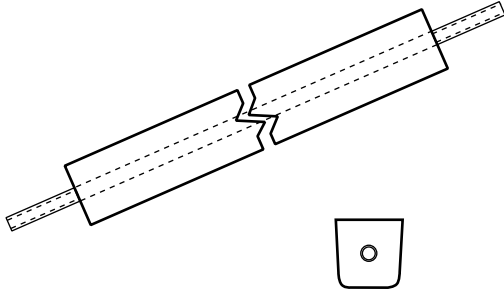
M&M Industries, Inc.

800 West Front Street, Chester PA 19013
 Tel (610) 447-0663 ~ Fax (610) 447-0994

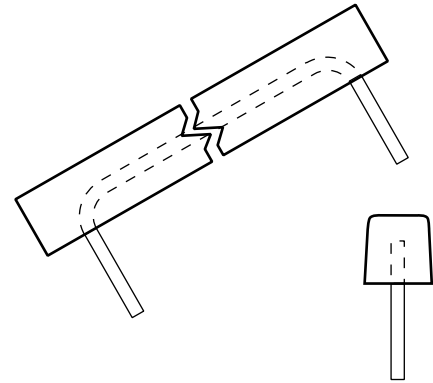
P.O. Box 1439, Amite LA 70422
 Tel (985) 748-6651 ~ Fax (985) 748-6651

ALUMINUM

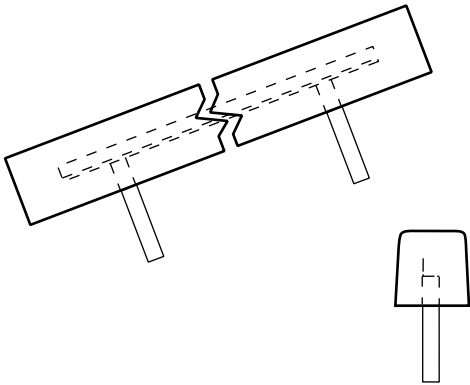
Structural / Platform



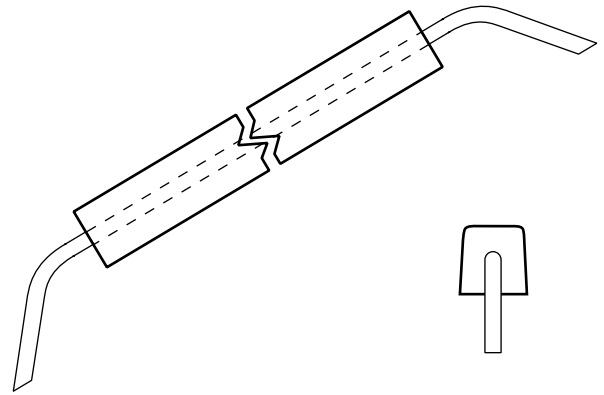
Type "A" Straight through pipe extending out both ends
Type "F" Straight through pipe extending out one end



Type "B" 90° bent pipe out end of anode
Type "G" 90° bent pipe out bottom of anode (shown)



Type "C" Pipe welded to angle core out bottom of anode



Type "D" 45° bent pipe out end of anode (shown)
Type "H" 45° bent pipe out bottom of anode

Net Weight Aluminum Anode	Nominal Dimensions Aluminum Anode	Cast-in Steel core
------------------------------	--------------------------------------	-----------------------

325 Lbs.	6½" x 6½" x 96"	2" Sch. 80 steel pipe
365 Lbs.	8" x 8" x 60"	2½" Sch. 80 steel pipe
450 Lbs.	8" x 7½" x 84"	2½" Sch. 80 steel pipe
490 Lbs.	8" x 7" x 96"	2½" Sch. 80 steel pipe
725 Lbs.	9½" x 9½" x 96"	4" Sch. 80 steel pipe
825 Lbs.	12" x 12" x 60"	4" Sch. 80 steel pipe

Type "E" Eyebolt core

All dimensions are in inches
 All weights are in pounds
 Drawings are not to scale
 Other anode sizes available
 Other core configurations available